

AITANA

X-1066 AITANA

REND. 62%

N.O. 14,5 kW

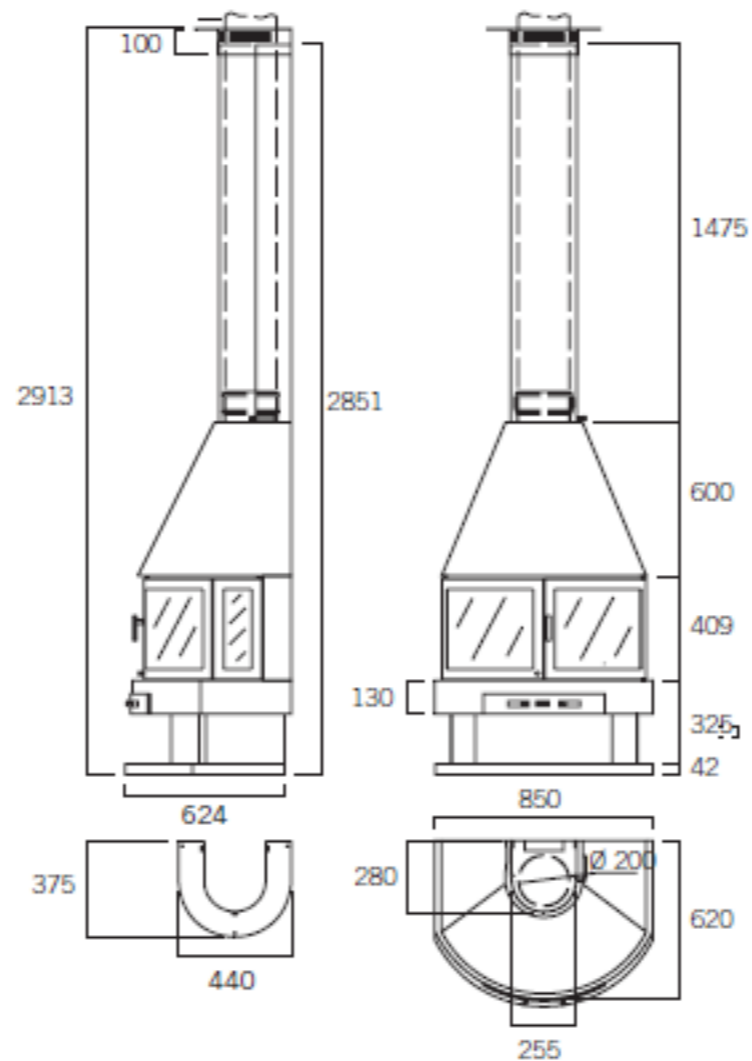
CO to 13% O₂ = 0,34%

C.H. 5,7 kg

UNE-EN 13240

Weight 165 kg

VOL. 1,22 m³



OPTIONAL ELEMENTS



X-1065-2/1
Flue cover



X-1065-1/3
Special finishing piece



X-1065-1/2
Inclined finishing piece