

ARIANE

X-1213 ARIANE

REND. 81%

N.O. 11 kW

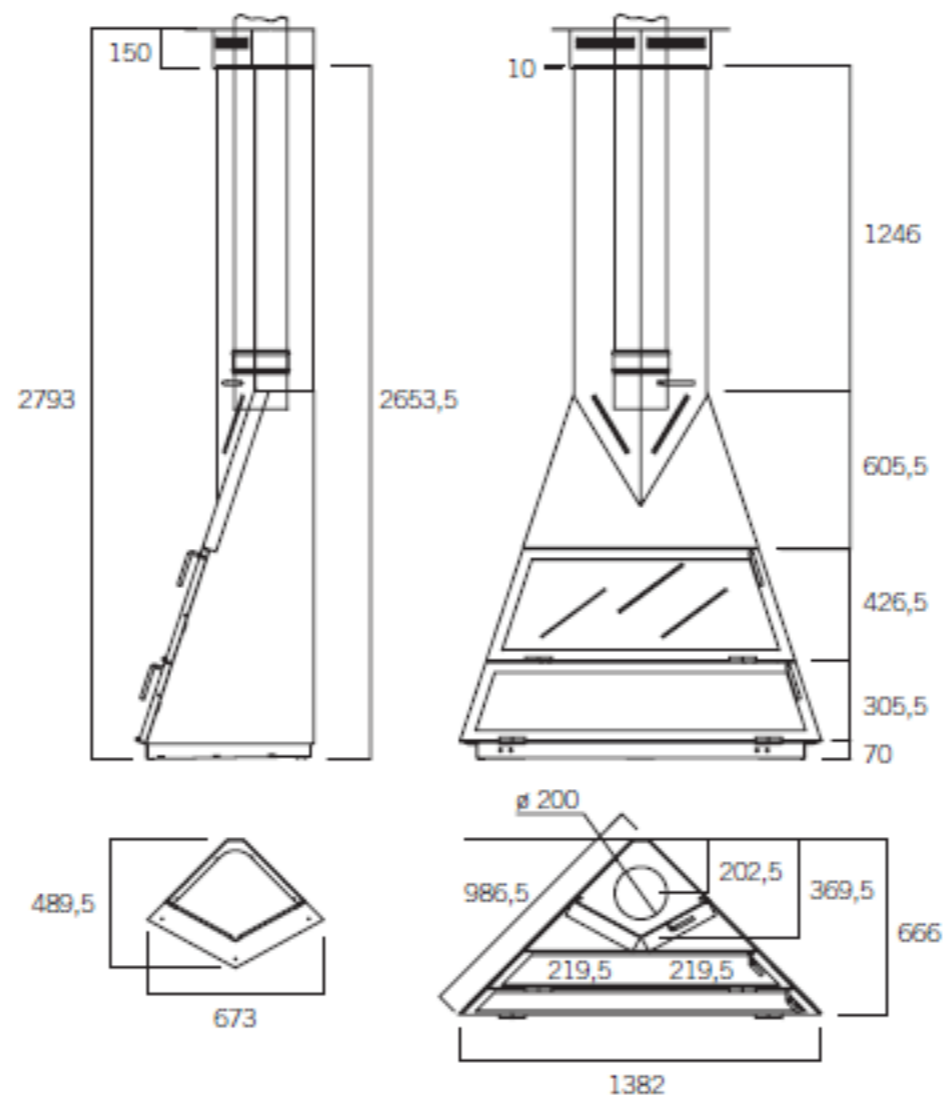
CO to 13% O₂ = 0,24%

C.H. 3,1 kg

UNE-EN 13240

Weight 197 kg

VOL. 0,60 m³



OPTIONAL ELEMENTS



X-1213-2/1
Flue cover



X-1213-1/2
Inclined finishing piece



X-1213-1/3
Special finishing piece