

BARBARA 90

X-1118 BARBARA 90

REND. 80,3%

N.O. 15,8 kW

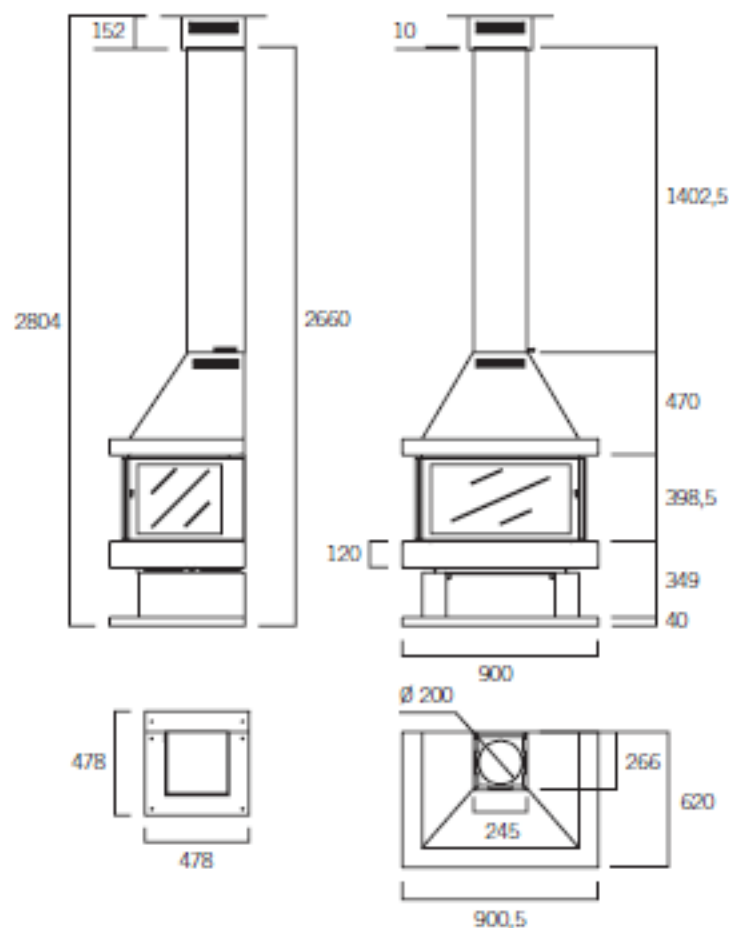
CO to 13% O₂ = 0,1%

C.H. 4,14 kg

UNE-EN 13240

Weight 232,5 kg

VOL. 1,22 m³



OPTIONAL ELEMENTS



X-1118-2/1
Flue cover



A-2070
Forced ventilation
system



X-1118-1/3
Special finishing piece



X-1118-1/2
Inclined finishing piece



X-1118-9
Corner piece

BARBARA 120

X-1121 BARBARA 120

REND. 66%

N.O. 18 kW

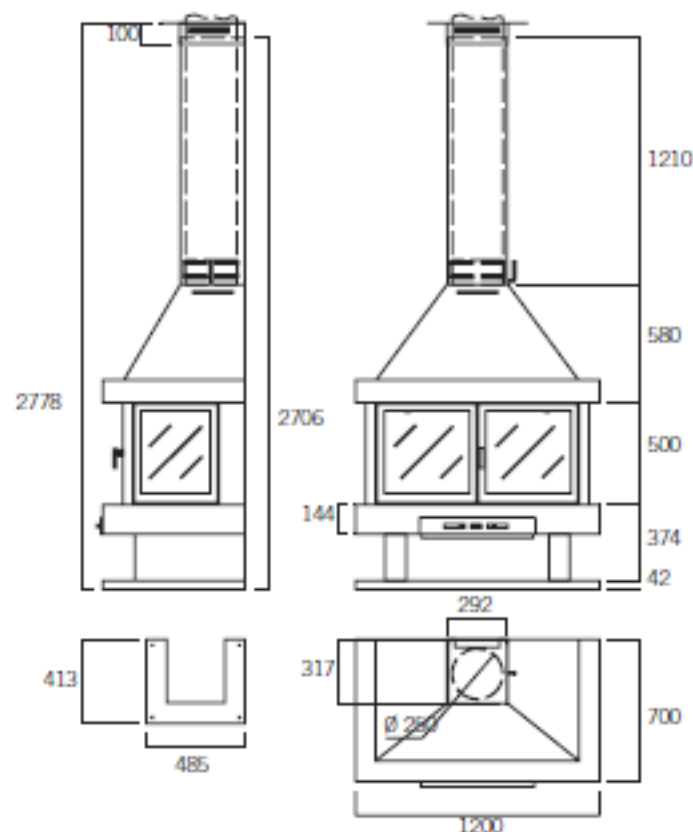
CO to 13% O₂ = 0,15%

C.H. 6 kg

UNE-EN 13240

Weight 316 kg

VOL. 1,70 m³



OPTIONAL ELEMENTS



X-1120-2/1
Flue cover



X-1120-1/3
Special finishing piece



X-1120-1/2
Inclined finishing piece



X-1120-9
Corner piece