

## DARIL

### X-1206 DARIL RIGHT

right/à droite/rechts  
(diagram/dessin/Tekening)

### X-1201 DARIL LEFT

left/à gauche/links

REND. 57%

N.O. 12,5 kW

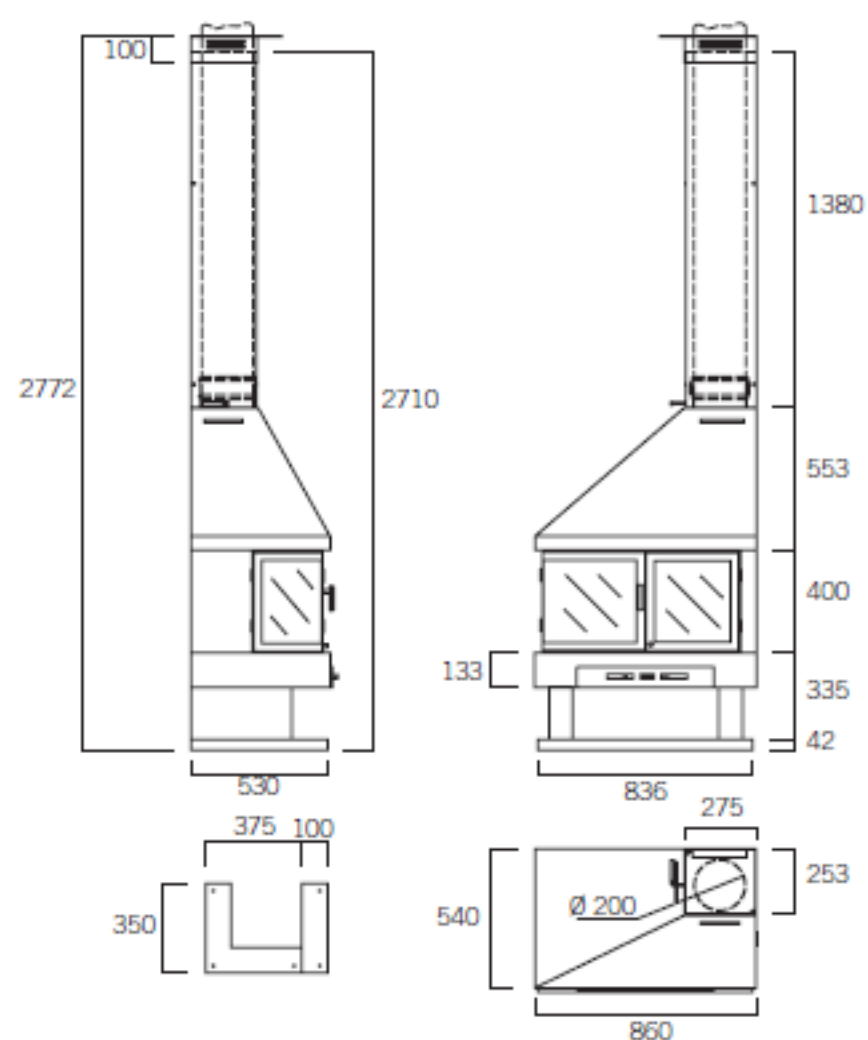
CO to 13% O<sub>2</sub> = 0,17%

C.H. 5,1 kg

UNE-EN 13240

Weight 185 kg

VOL. 1,01 m<sup>3</sup>



## OPTIONAL ELEMENTS



right/à droite/rechts  
left/à gauche/links

X-1205-2/1  
X-1200-2/1  
Flue cover



X-1205-1/3  
X-1200-1/3  
Special finishing piece



X-1205-1/2  
X-1200-1/2  
Inclined finishing piece



X-1205-9  
X-1200-9  
Corner piece