

GALA

X-1220 GALA

REND. ---

N.O. ---

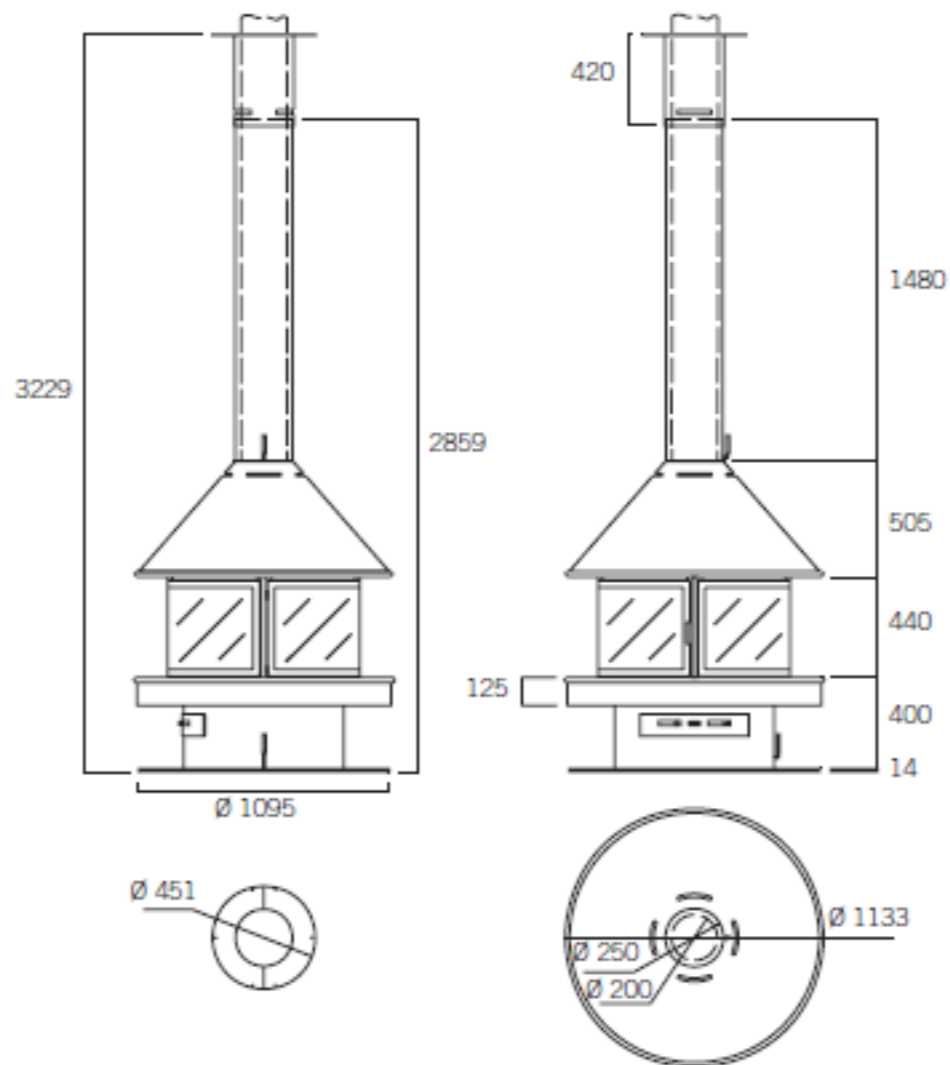
CO to 13% O₂ = ---

C.H. ---

UNE-EN 13240

Weight 250 kg

VOL. 2,71 m³



OPTIONAL ELEMENTS



X-1220-2/1
Flue cover



X-1220-1/3
Special finishing piece



X-1220-1/2
Inclined finishing piece



X-1220-9
Corner piece