

GISELLE 100

X-1275 GISELLE 100

REND. 73,4%

N.O. 17,1 kW

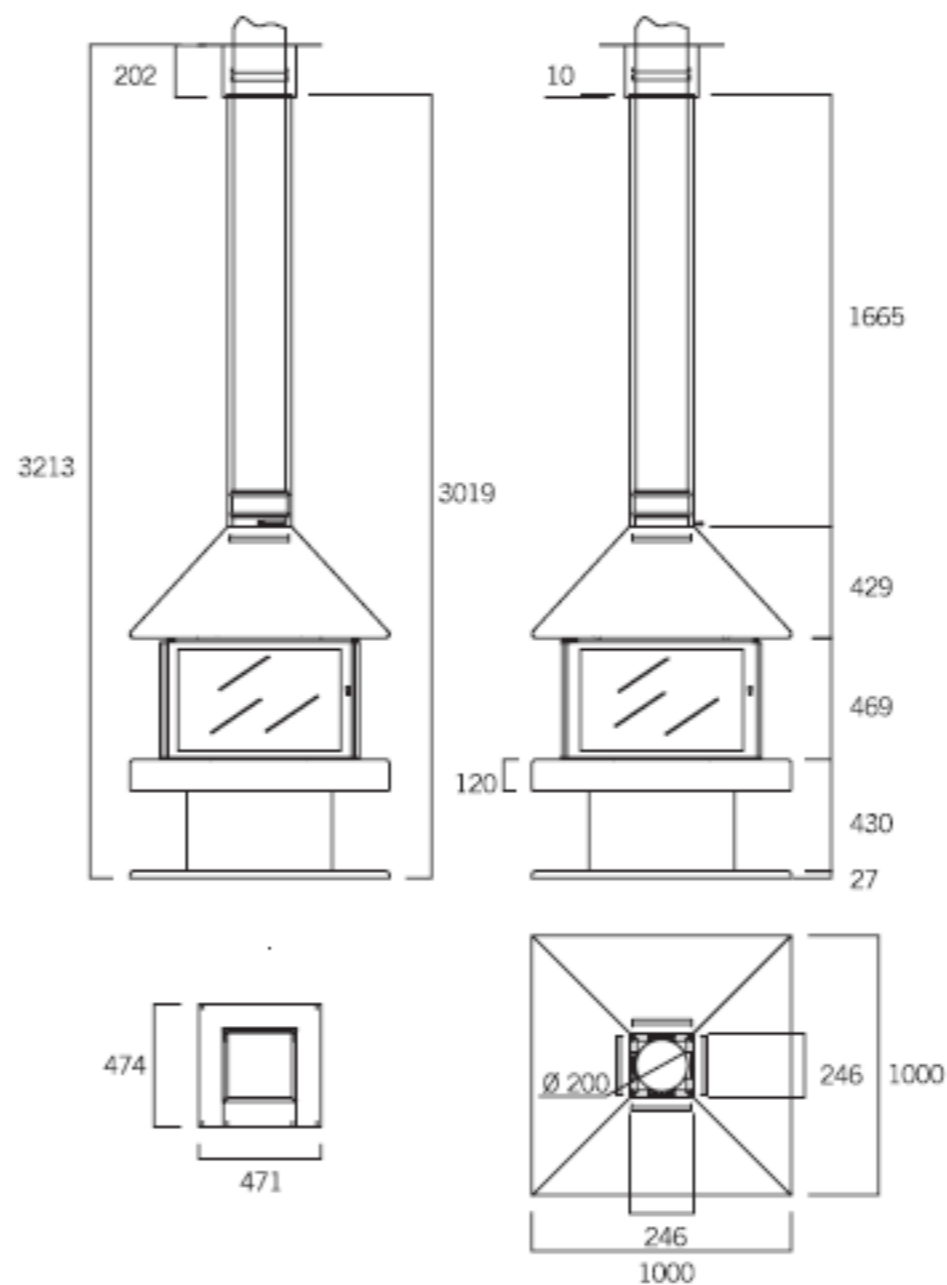
CO to 13% O₂ = 0,16%

C.H. 4,9 kg

UNE-EN 13240

Weight 250 kg

VOL. 2,28 m³



OPTIONAL ELEMENTS



X-1275-2/1
Flue cover



X-1275-1/3
Special finishing piece



X-1275-1/2
Inclined finishing piece



X-1275-9
Corner piece