

## GISELLE 80

### X-1270 GISELLE 80

REND. 72,5%

N.O. 16,4 kW

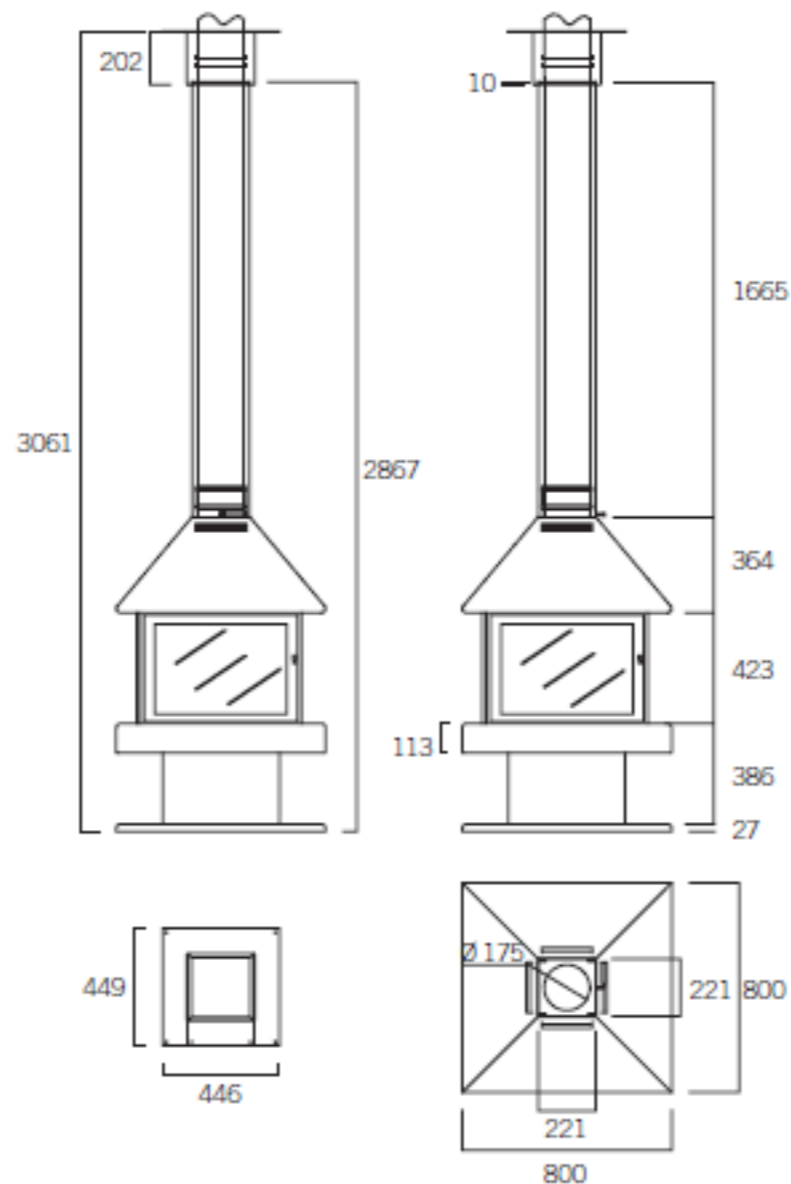
CO to 13% O<sub>2</sub> = 0,18%

C.H. 4,73 kg

UNE-EN 13240

Weight 172 kg

VOL. 1,31 m<sup>3</sup>



### OPTIONAL ELEMENTS



X-1270-2/1  
Flue cover



X-1270-1/3  
Special finishing piece



X-1270-1/2  
Inclined finishing piece



X-1270-9  
Corner piece