

**D-4/80**

**X-1156 D-4/80**

REND. 71%

N.O. 8,5 kW

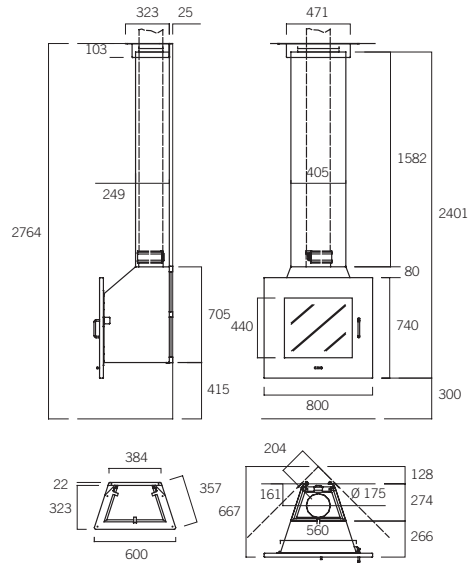
CO to 13% O<sub>2</sub> = 0,25%

C.H. 2,5 kg

UNE-EN 13240

Weight 97 kg

VOL. 0,80 m<sup>3</sup>



**OPTIONAL ELEMENTS**



**X-1156-2/1**  
Flue cover



**X-1156-1/3**  
Special finishing piece



**X-1156-1/2**  
Inclined finishing piece



**X-115690**  
Optional stand

**D-4/90**

**X-1158 D-4/90**

REND. 71%

N.O. 10,5 kW

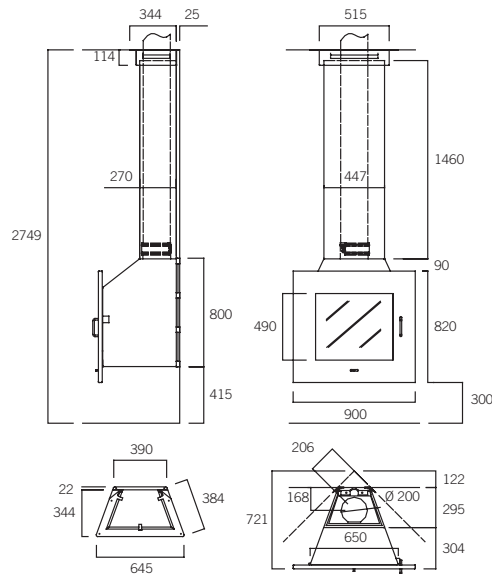
CO to 13% O<sub>2</sub> = 0,25%

C.H. 3,4 kg

UNE-EN 13240

Weight 108 kg

VOL. 0,80 m<sup>3</sup>



**OPTIONAL ELEMENTS**



**X-1158-2/1**  
Flue cover



**X-1158-1/3**  
Special finishing piece



**X-1158-1/2**  
Inclined finishing piece



**X-115890**  
Optional stand