

D-9

X-1290 D-9

REND. 45%

N.O. 10,5 kW

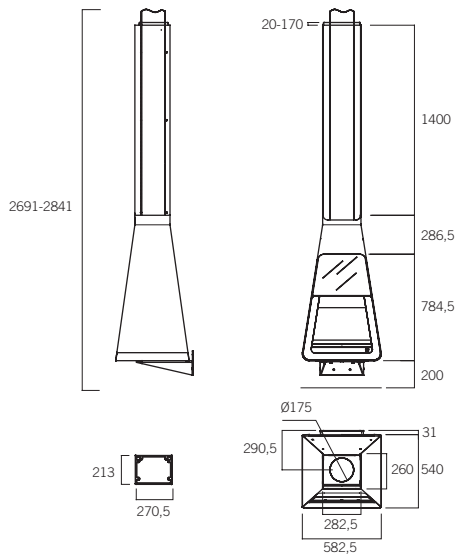
CO to 13% O₂ = 0,16%

C.H. 5,4 kg

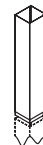
UNE-EN 13240

Weight 130 kg

VOL. 0,88 m³



OPTIONAL ELEMENTS



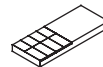
X-1290-2/1
Flue cover



X-1290-1/3
Special finishing piece



X-1290-1/2
Inclined finishing piece



A4800
Stand