

DANA

X-1215 DANA

REND. 72,4%

N.O. 10,8 kW

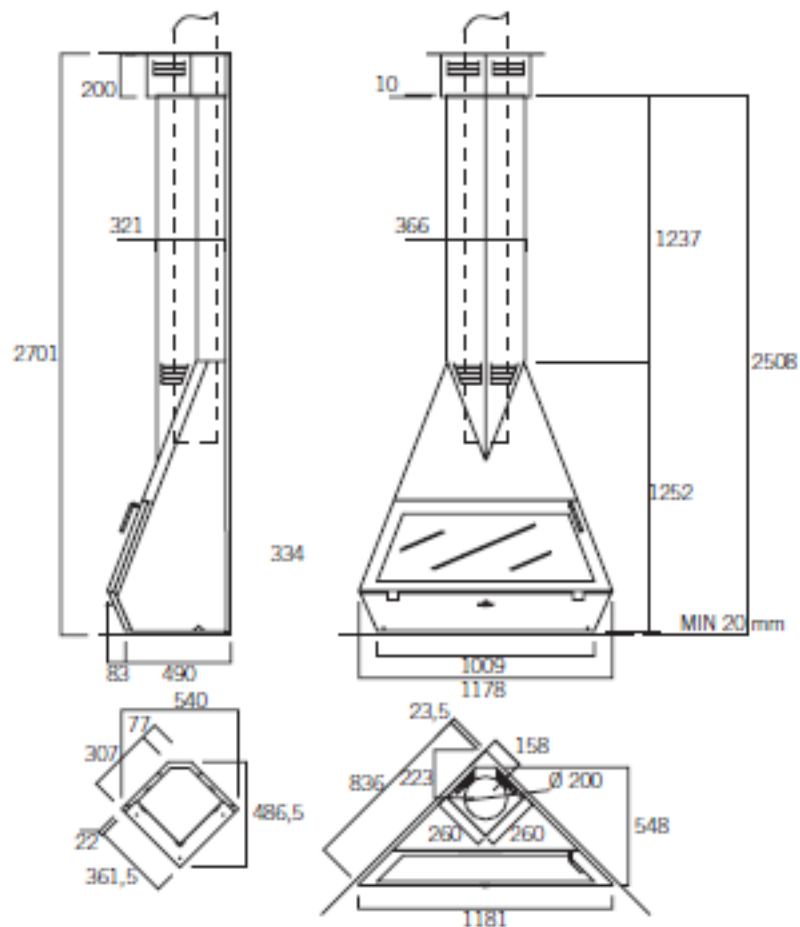
CO to 13% O₂ = 0,29%

C.H. 3,16 kg

UNE-EN 13240

Weight 186 kg

VOL. 1,54 m³



OPTIONAL ELEMENTS



X-1215-6
Bracket for
hang-mounting



X-1215-9
Corner piece



X-1215-61
Accessory for
corner-hanging



X-1215-1/3
Special finishing piece



X-1215-1/2
Inclined finishing piece



X-1215-2/1
Flue cover



A-2065
Forced ventilation
system