

ESTELA

X-1041 ESTELA

REND. ---

N.O. ---

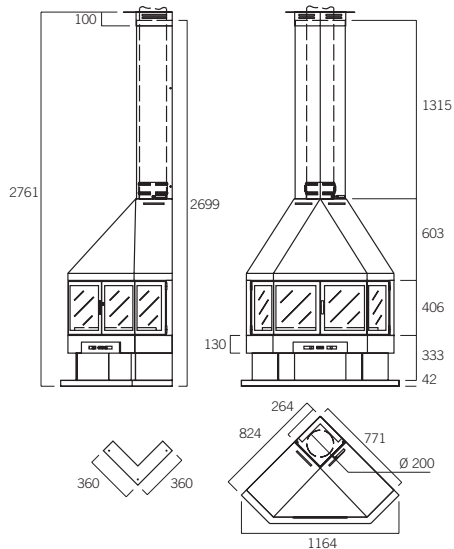
CO to 13% O₂ = ---

C.H. ---

UNE-EN 13240

Weight 204 kg

VOL. 1,26 m³



OPTIONAL ELEMENTS



X-1040-2/1
Flue cover



X-1040-1/3
Special finishing piece



X-1040-1/2
Inclined finishing piece



X-1040-9
Corner piece